

Blower Installation Guide, 6.5 CFM

Figure 1 shows the name of each component on the blower.

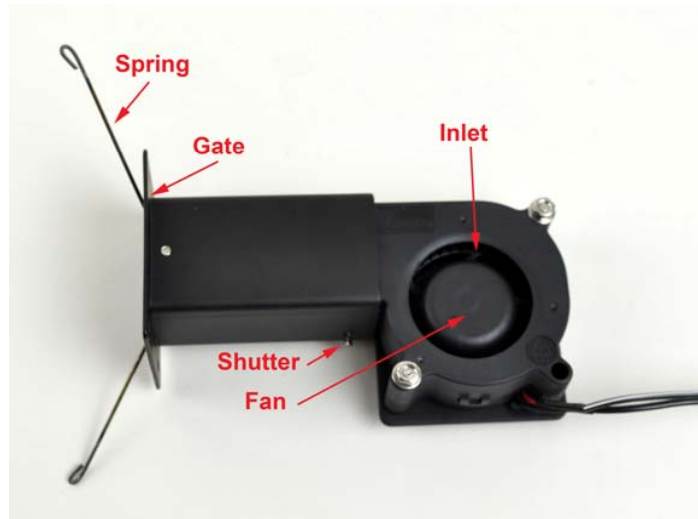


Figure 1. Name of the components on the blower

The blower has a snap-on spring, a shutter in the wind channel to stop the draft when the blower stops.

The maximum size of the venting hole for this snap-on blower is 1.2 inch (32 mm). For a hole size close to 1.2 inch, you should turn the spring in diagonal direction to increase its span (see Figure 2). If the hole size is larger than 1.2", the blower will not snap on to the BBQ stove tightly. You will need to use the holes on the flange to mount it with screw.

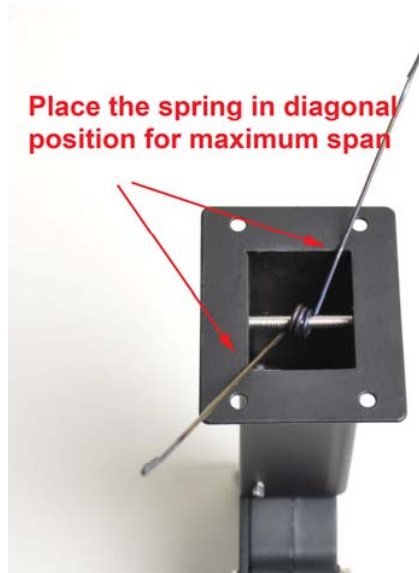


Figure 2. The spring position for maximum span

If the venting hole is on a curved surface, user may use the silicone gasket (optional) between the flange of the blower and the curved surface to prevent the air leaking. If you need to install and uninstall the silicone gasket frequently, you can glue the gasket to the flange with household silicone adhesive (the type from Home Depot for window or sink works fine).

To install the blower to the venting hole of the BBQ pit, use one hand to hold the blower, and use the thumb and forefinger of the other hand to squeeze the legs together to fit the hole (see Figure 3).



Figure 3. Squeeze the spring

Make sure you are keeping the spring squeezed and don't let it bounce back to hurt you when doing this step. Then insert the spring to the hole. The blower will snap on to it as shown in Figure 4. You may need to use high temperature aluminum foil tape, not included, to seal the other venting holes that are not used.



Figure 4. Insert the spring to the hole

You need to adjust the blower to make the air inlet of the blower face down. This position is important for two reasons. 1) It allows the shutter in the wind channel stay closed when the blower stops. 2) It will prevent water and unwanted particles from getting into the vent of the blower (see Figure 5). If face down is not possible for the location, you can install it vertically in a tilted angle with the fan lower than the output gate. That will allow the shutter stay closed when blower stops.



Figure 5. Finish the installation

When finished using the blower, you may pull the blower out of the hole with one hand holding the fan part of the blower (see Figure 6). Please make sure to keep your hand away from the gate to prevent the spring bounce to your hand.



Figure 6. Pull the blower out with one hand

For the Kamado style smokers (such as Big Green Eggs, Primo and Grill Dome) that have a sliding door for ventilation, an adapter plate is needed. When using an adapter, if the venting hole is on a thick panel such as the Grill Dome, the spring may not snap on the mounting adapter because of the long wire of the spring will hit the thick ceramic wall (see Figure 7). In that case, you need to bend the spring wires to an appropriate angle with a pair of pliers. The bending position of the spring wire should be between the points A and B. Figure 8 shows the blower after bending the wires.

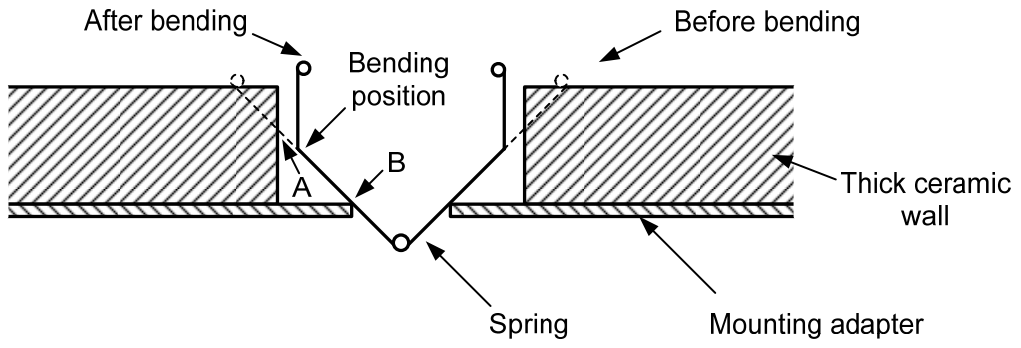


Figure 7. Spring fits on the thick panel

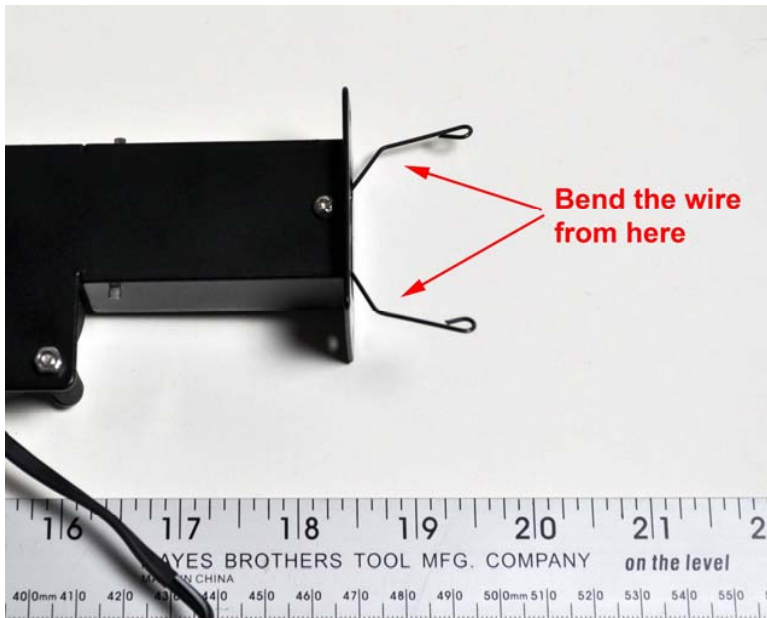


Figure 8. The position to bend the spring